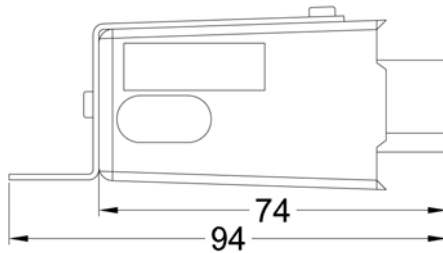


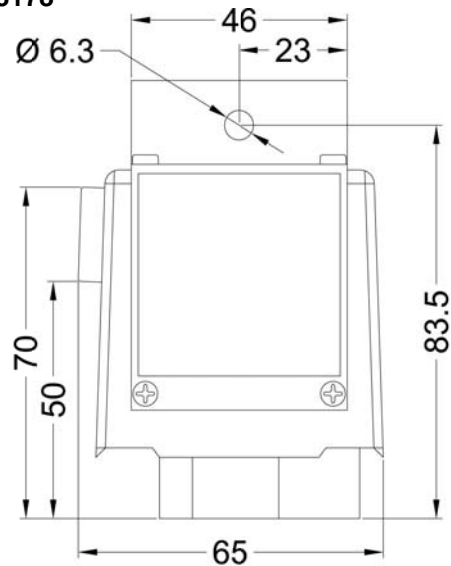
# Product Specification

Brigade Model Number: LS-20-B

Brigade Stock Code: #3178



Dimensions: mm



## Product Specification

### Environmental Specifications:

- Vibration Rating: 10 G
- Switch IP Rating (Without Plug): IP51
- Switch IP Rating (With Plug): IP54
- Operating Temperature: -40° to +70°C
- Storage Temperature: -50° to +80°C

### Approved Standards:

- CE
- RoHS

### Technical Specifications:

- Operating Voltage: 10v~32 Vdc
- Current Consumption: ≤0.005 A @ 12 Vdc
- Power Consumption: 0.1 Watts @ 12 Vdc
- Switch On Time Delay: <12ms
- Switch Off Time Delay: 1 Second
- Switching Current: 10 Amps Max
- Mounting Hole Diameter: 6.3mm
- Electronic Switch Type: Solid State
- Polarity Protected: Yes
- Short Circuit Protected: No
- Mounting Centres: N/A
- Speed Adjustment: 6 Way DIP Switch
- Internal Fuse: No
- Switch Type: Normally Open
- Accuracy of Switch: > 98%

### Technical Specifications Continued...

- Cable Length: N/A
- Cable Thickness:
  - Power Cables: N/A
  - Output Cables: N/A
- Weight: 85 Grams
- Overall Dimensions: 36 mm (W) x 61 mm (D) x 94 mm (H)
- Casing Material: ABS Black
- Heatsink Material: Aluminium Alloy
- Colour: Black

### Features:

- Polarity Protected
- Single Point Fixing
- 10A Switching Capability
- Simple To Change Switching Speed using DIP Switch

### Package Contents:

- 1x Speed Switch